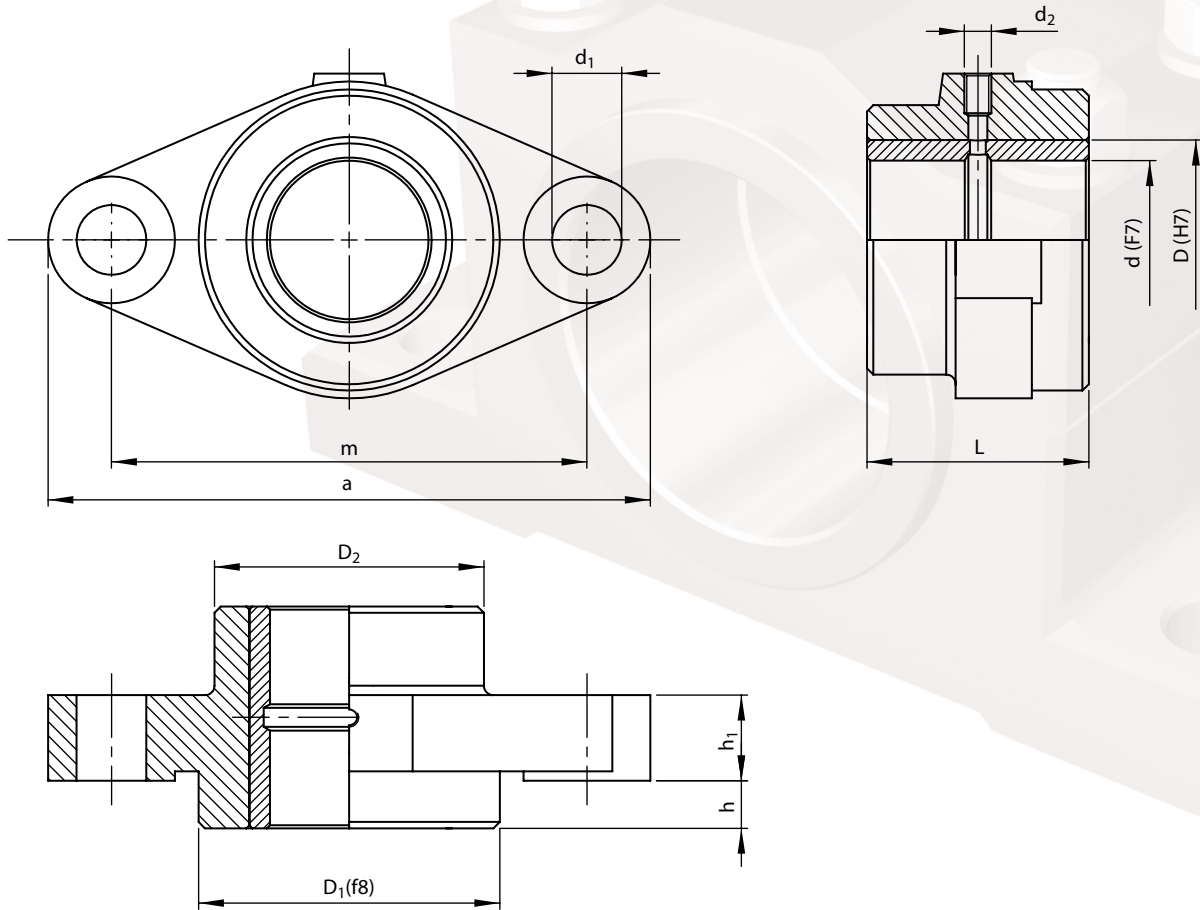


Example of designation of the AKO-2 case with the hole diameter of $D=36\text{mm}$ with A30/36x40-B101 sleeve, size of 103: (marking see page C1-1)

36-A 30/36x40-B101-103 AKO-2 Light flange case

- without sleeve 36-BT-103 AKO-2 Light flange case
- Connection and dimensional sizes of the cases acc. to PN-83/M-87006



D	D ₁	D ₂	L	h	h ₁	a	m	d ₁	d ₂	Weight	d Sleeve diameter [PN-80/M-87101]	Case size and type
mm												
20	38	34	20	3	12	90	70	9	M10x1	0,22	14;16	101 AKO-2
22			30	6	14					0,28	18	
26	50	45	40	8	16	110	85	11		0,48	20;22	102 AKO-2
30										0,45	25	
36	60	53	60	12	24	130	105	14		0,69	28;30	103 AKO-2
40	68	60								155	120	
48	80	71	70	15	27	165	130	18		1,59	40	105 AKO-2
52	85	75								179	42	
58			1,72	48;50								
63	95	85	80	20	30	190	150	22		3,30	55	107 AKO-2
70	115	105							4,85	60	108 AKO-2	
80	130	120	90	25	35	245	200	26	6,84	65		109 AKO-2
									7,32	70		

We are also offering tailor-made special versions.