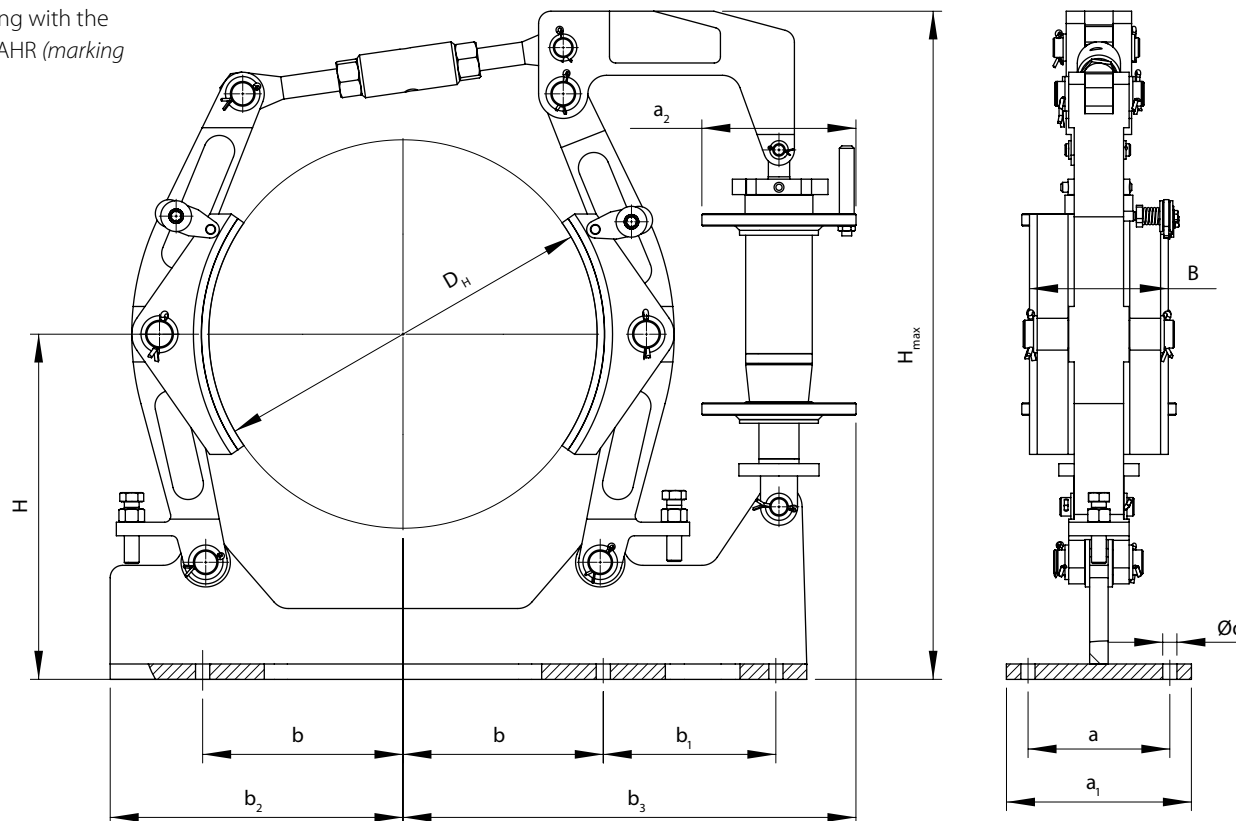


Example of designation of the AHR parking brake working with the drum diameter of $D_H=500\text{mm}$ and manual drive, size 267 AHR (marking see page B1-3):

500-267AHR Parking brake

Version II:

500-267AHR-II Parking brake



Brake drum diameter D_H	Thrustor type	Brake shoe width B	H	H_{max}	b	b_1	b_2	b_3	a	a_1	a_2	d	Brake weight with thrustor	Brake size and type	Version
mm	-				mm								kg	-	-
400	Manual drive	140	300	700	200	250	315	590	170	220	250	18	98	266 AHR	
500		180	330	800	325	-	370	670	130	220	250	22	106	267 AHR	II
500			360	830	250	280	380		200	270			120	267 AHH	
630		225	450	1100	325	280	475	745	230	300	250	23	254	268 AHH	
630			560	1120									260	268 AHH	II