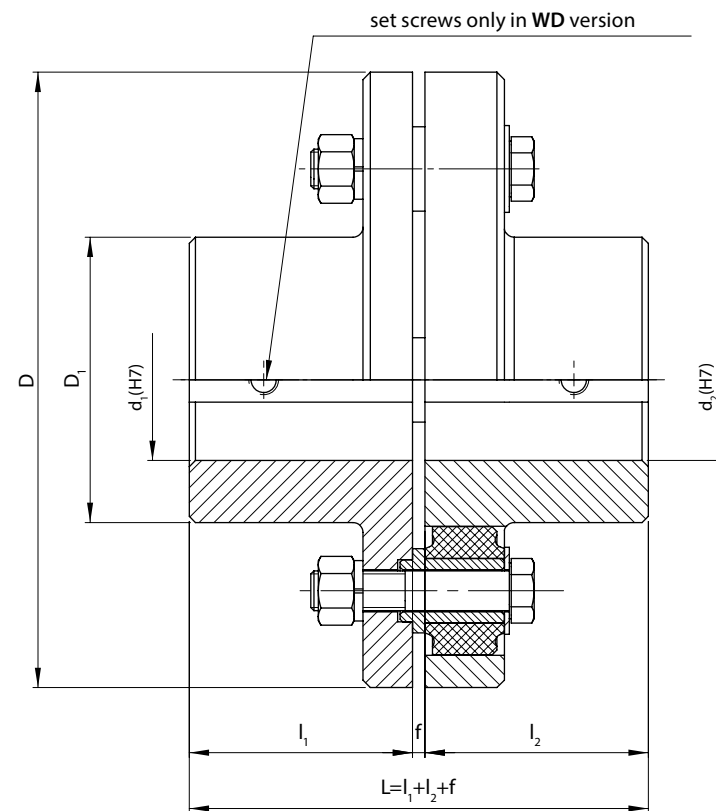


Example of designation of the ASP type coupling with the nominal torque of $M_n=510$ Nm, hub hole diameters of $d_1=50$ mm, $d_2=60$ mm, hub hole lengths of $l_1=75$ mm, $l_2=90$ mm, size of 083 in the A variant (marking see page A3-1):

510-50/75-60/90- 083 ASP-A Pin and Bush coupling

- the "Ex" version – 510-50/75-60/90-083 ASP-A-**Ex** Pin and Bush coupling
- the "WD" version – 510-50/75-60/90-083 ASP-A-**WD** Pin and Bush coupling
- with pilot bores $\varnothing 20$ – 510-**ow**20/75-**ow**20/90-083 ASP-A Pin and Bush coupling

Nominal torque M_n	Variant	d_1, d_2	l_1, l_2 ¹⁾	f	D	D_1	Max rotational speed n_{max}	Moment of inertia ²⁾ I	Weight ²⁾ m	Coupling size and type
		max	nomin.							
Nm		mm					1/min	kgm ²	kg	-
20	B	18	30	2	78	30	8000	0,0008	1,11	077 ASP
30	C									
35	B									
50	C									
50	A									
63	B									
80	C									
80	A									
125	B	28	45	5	130	45	4000	0,006	3,26	080 ASP
160	C									
300	B									
400	C									
400	B									
540	C									
510	A									
680	B									
850	C									
1400	D									
1000	A									
1200	B									
1600	C									
2000	A									
3000	B									



► Continuation of the table on the next page

◀ Continuation of the table from the previous page

Nominal torque M_n	Variant	d_1, d_2	l_1, l_2 ¹⁾	f	D	D ₁	Max rotational speed	Moment of inertia ²⁾	Weight ²⁾	Coupling size and type
		max	nomin.							
Nm		mm					1/min	kgm ²	kg	–
4000	A	125	165	8	400	198	1200	1,70	102	086 ASP
6000	B									
7500	A	160	200		530	248	1000	5,30	189	087 ASP
12500	B									
15000	C									
16000	A	200	280		600	305	1000	10,1	310	088 ASP
21000	B									
25000	A	200	280	10	600	305	1000	14,0	375	089 ASP
36000	A	220	280		710	350	950	28,1	544	090 ASP
42000	A	250	330		800	410	850	48,2	784	091 ASP
56000	B									
65000	A	280	380		900	460	750	80,5	1080	092 ASP
74000	A	280	380		1000	460	670	114	1237	093 ASP
83000	B									

We also offer special designs according to the individual wishes of the customer.

We produce keyways as recommended, normally acc. to PN-70/M-85005, with the Js9 tolerance.

¹⁾ On request, we produce couplings with hub lengths different from the nominal and extended lengths provided in the table.

²⁾ The weight and the moment of inertia have been determined for the coupling with the maximum holes and nominal lengths of the hubs.

- Couplings of the size 088 ASP and bigger are normally balanced dynamically.