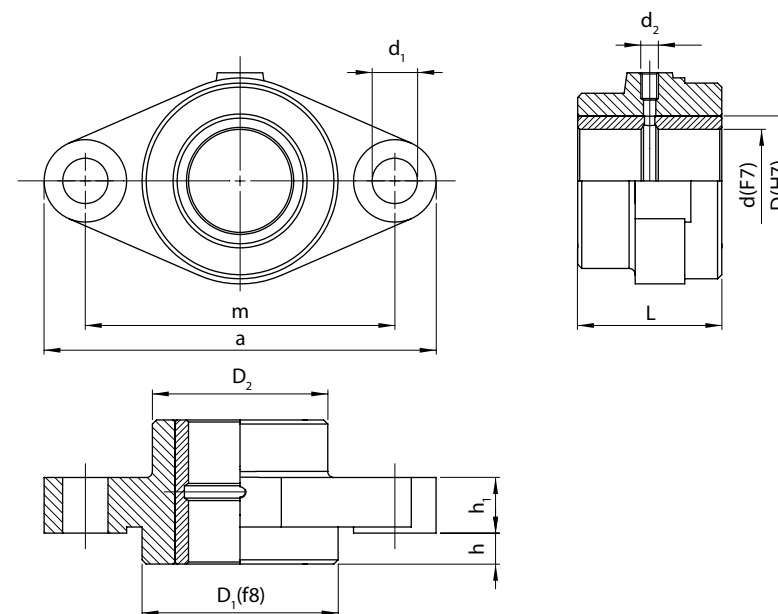


Example of designation of the AKO-2 flange bearing (2 bolt) with the hole diameter of $D=36$ mm with A30/36x40-B101 bush, size of 103 (marking see page C1-1):

36-A 30/36x40-B101-103 AKO-2 Flange bearing (2 bolt)

- without bush – 36-BT-103 AKO-2 Flange bearing (2 bolt)



We also offer special designs according to the individual wishes of the customer.

* Connection and dimensional sizes of the flange bearings (2 bolt) acc. to PN-83/M-87006 (except dimensions marked with *).

| D | D ₁ | D ₂ | L | h | h ₁ | a | m | d ₁ | d ₂ | Weight | Bush diameter d [PN-80/M-87101] | Size and type of flange bearing |
|----|----------------|----------------|-----|-----|----------------|--------|------|----------------|----------------|-----------|---------------------------------|---------------------------------|
| mm | | | | | | | | | | kg | mm | - |
| 20 | 38 | 34 | 20 | 3 | 12 | 90 | 70 | 9 | M10x1 | 0,22 | 14; 16 | 101 AKO-2 |
| 22 | | | 30 | | | | | | | 6 | 14 | |
| 26 | 50 | 45 | 40 | 8 | 16 | 110 | 85 | 11 | | 0,48 | 20; 22 | 102 AKO-2 |
| 30 | | | | | | | | | | 130 | 105 | |
| 36 | 60 | 53 | 60 | 12 | 18* | 155 | 120 | 18 | | 0,69 | 28; 30 | 103 AKO-2 |
| 40 | 68 | 68* | | | | | | | | 165 | 130 | 1,18 |
| 48 | 80 | 80* | 60 | 12 | 27* | 180 | 140 | 22 | | 1,59 | 40 | 105 AKO-2 |
| 52 | 85 | 85* | | | | | | | | 180 | 140 | 1,79 |
| 58 | | | 180 | 140 | 1,72 | 48; 50 | 3,30 | 55 | | 107 AKO-2 | | |
| 63 | 95 | 85 | 70 | 15 | 28* | 190 | 150 | 26 | | 4,85 | 60 | 108 AKO-2 |
| 70 | 115 | 105 | 80 | 20 | 30 | 225 | 180 | | 6,84 | 65 | 109 AKO-2 | |
| 80 | 130 | 130* | 90 | 25 | 35 | 245 | 200 | 26 | 7,32 | 70 | | |