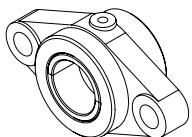
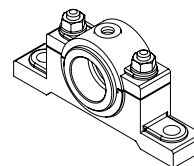


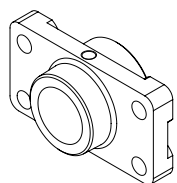
■ **C1-1** GENERAL INFORMATION



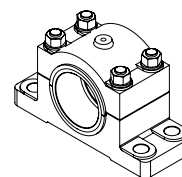
■ **C1-2** **AKO-2** FLANGE BEARINGS (2 BOLT)



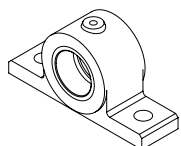
■ **C1-5** **AKD-2** MEDIUM DUTY
PLUMMER BLOCK HOUSING (2 BOLT)



■ **C1-3** **AKO-4** FLANGE BEARINGS (4 BOLT)



■ **C1-6** **AKD-4** HEAVY DUTY
PLUMMER BLOCK HOUSING (4 BOLT)



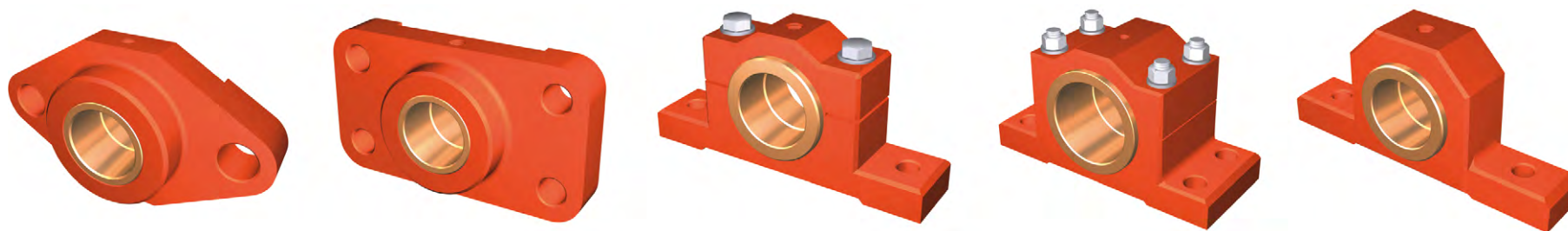
■ **C1-4** **AKN** EYE BEARINGS

Slide bearings are normally (if it is indicated by the marking) delivered with bushes/split bearings made of bronze B101 of the dimensions being in compliance with PN- 80/ M-87101, PN-81/M-87102. After the agreement it is possible to manufacture the body with bushes/split bearings of other dimensions or of other material.

Bushes/split bearings are manufactured in three types:

- Simple – "A"
- With flange – "B"
- With two flanges – "C".

MATERIAL: cast iron, (steel), bush/split bearing – bronze.



METHOD OF MARKING:

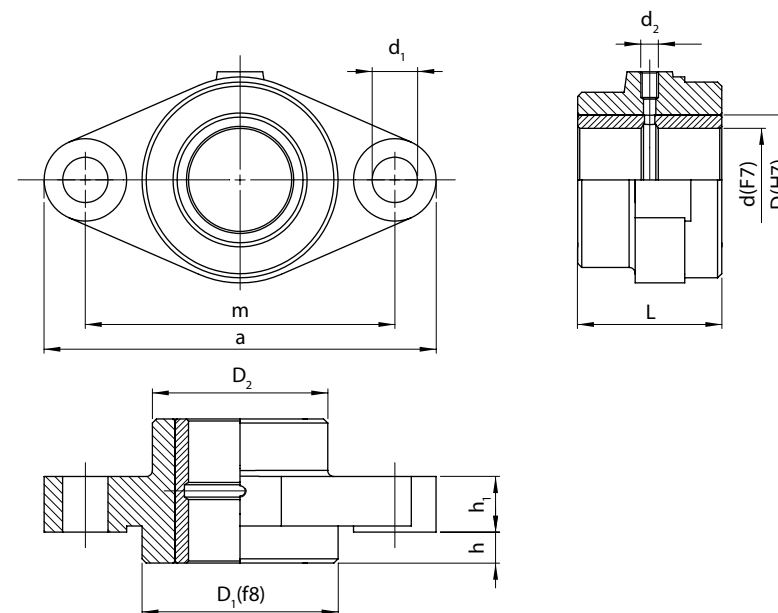
[name] – [D] – [marking of bush/split bearing] – [size] [type]

name	e.g. Medium duty plummer block housing (2 bolt)
D	diameter of the hole in the housing [mm]
Bushes/split bearings marking	marking of the bushes/split bearings in compliance with PN-80/M- 87101, PN-81/M-87102; in the case of ordering a plummer block without split bearing, write "BP" , in the case of ordering a flange bearing or eye bearing without the bush, write "BT" marking
size	e.g. 102
type	e.g. AKD-2

Example of designation of the AKO-2 flange bearing (2 bolt) with the hole diameter of $D=36$ mm with A30/36x40-B101 bush, size of 103 (marking see page C1-1):

36-A 30/36x40-B101-103 AKO-2 Flange bearing (2 bolt)

- without bush – 36-BT-103 AKO-2 Flange bearing (2 bolt)



We also offer special designs according to the individual wishes of the customer.

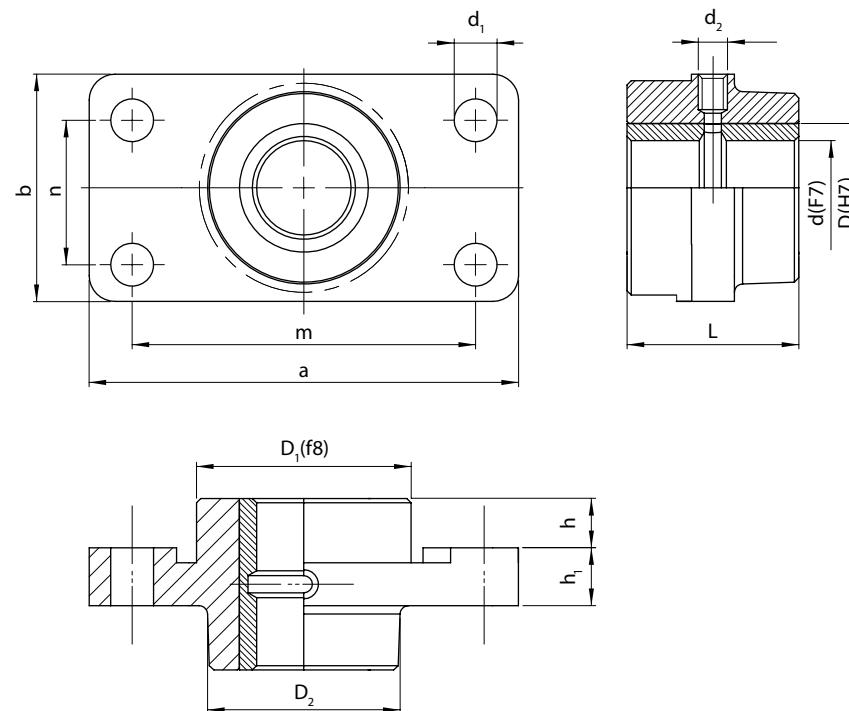
* Connection and dimensional sizes of the flange bearings (2 bolt) acc. to PN-83/M-87006 (except dimensions marked with *).

D	D ₁	D ₂	L	h	h ₁	a	m	d ₁	d ₂	Weight	Bush diameter d [PN-80/M-87101]	Size and type of flange bearing
mm										kg	mm	-
20	38	34	20	3	12	90	70	9	M10x1	0,22	14; 16	101 AKO-2
22			30							6	14	
26	50	45	40	8	16	110	85	11		0,48	20; 22	102 AKO-2
30										130	105	
36	60	53	60	12	18*	155	120	18		0,69	28; 30	103 AKO-2
40	68	68*								165	130	1,18
48	80	80*	60	12	27*	180	140	22		1,59	40	105 AKO-2
52	85	85*								180	140	1,79
58			190	150	1,72	48; 50	3,30	55		107 AKO-2		
63	95	85	70	15	28*	190	150	26		4,85	60	108 AKO-2
70	115	105	80	20	30	225	180		6,84	65	109 AKO-2	
80	130	130*	90	25	35	245	200	26	7,32	70		

Example of designation of the AKO-4 flange bearing (4 bolt) with the hole diameter of $D=115$ mm with A100/115x120-B101 bush, size of 103 (marking see page C1-1):

115-A 100/115x120-B101-103 AKO-4 Flange bearing (4 bolt)

- without bush – 115-BT-103 AKO-4 Flange bearing (4 bolt)



We also offer special designs according to the individual wishes of the customer.

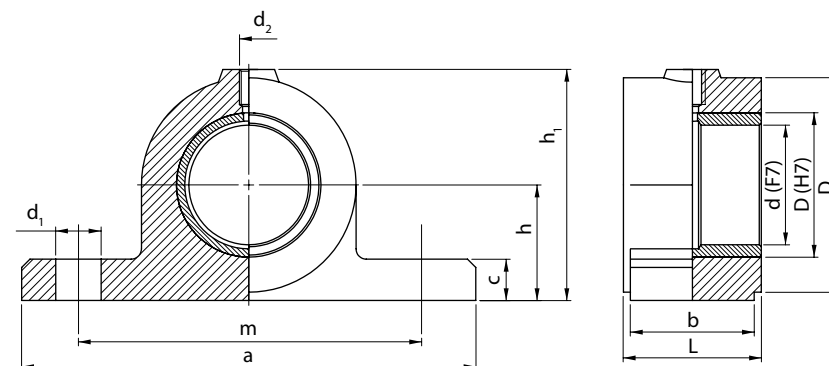
* Connection and dimensional sizes of the flange bearings (4 bolt) acc. to PN-83/M-87007 (except dimensions marked with *).

D	D ₁	D ₂	L	h	h ₁	a	b	m	n	d ₁	d ₂	Weight	Bush diameter d [PN-80/M-87101]	Size and type of flange bearing
mm												kg	mm	-
90	140	150*	90	30	30	230	150	190	110	22	M10x1*	9,81	75	101 AKO-4
95			100	34	32							9,32	80; 85	
105	160	170*	120	40	35	260	170	210	120	26		16,00	90	102 AKO-4
115	180	190*				280	190	230	140	19,32		95; 100	103 AKO-4	
125	190	180				290	200	240	150	19,89		105; 110	104 AKO-4	
135	210	200	150	40	40	330	230	270	170	33		30,30	120	105 AKO-4
155			180			340	240	280	180			29,11	140	
165	230	220	180	40	40	340	240	280	180	33		35,92	150	106 AKO-4
180	240	230				360	250	300	190			37,34	160	107 AKO-4
200	260	250	250	40	40	380	270	320	210	33		54,74	180	108 AKO-4

Example of designation of the AKN eye bearing with the hole diameter of $D=26$ mm with A22/26×30-B101 bush, size of 103 (marking see page C1-1):

26-A 22/26×30-B101-103 AKN Eye bearing

- without bush – 26-BT-103 AKN Eye bearing



We also offer special designs according to the individual wishes of the customer.

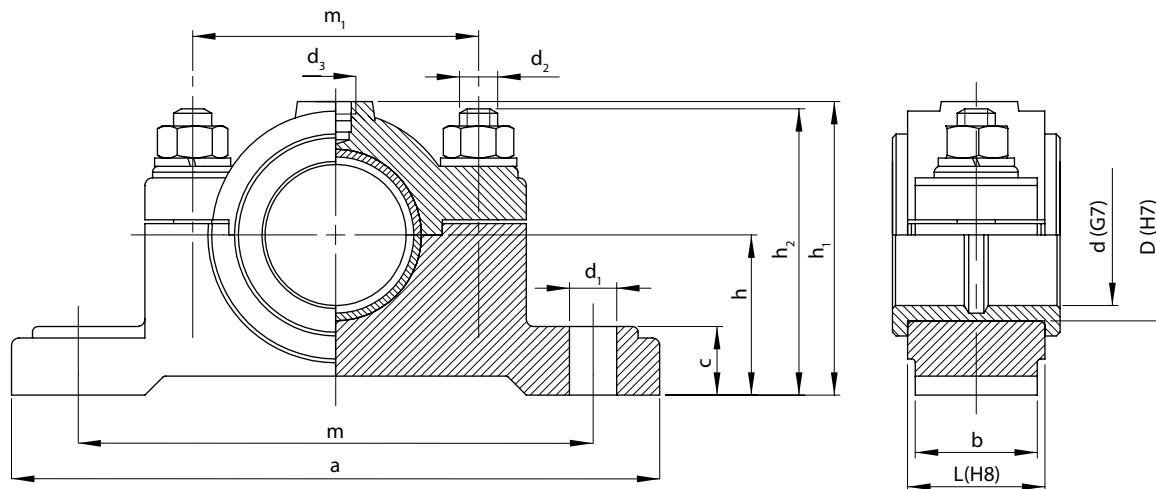
Connection and dimensional sizes of the eye bearings acc. to PN-84/M-87008.

D	D ₁	L	h	h ₁	a	b	c	m	d ₁	d ₂	Weight	Bush diameter d [PN-80/M-87101]	Size and type of flange bearing
mm											kg	mm	-
18	38	20	22	45	90	16	12	65	9	M10×1	0,24	12;14	101 AKN
20											0,24	14; 16	
22	42	30	25	50	105	20	14	75	11		0,41	16; 18	102 AKN
24											0,41	18; 20	
26	50		28	58	120	25	80	13	0,56		20; 22	103 AKN	
28									0,55		22		
32	60	40	34	68	140	32	16	100	17		1,08	25	104 AKN
36											1,03	28; 30	
40	70	50	42	80	165	20	20	120	22		1,48	32	105 AKN
45											1,65	35; 38	
50	80	60	48	95	200	50	25	145	26	3,36	40; 42	106 AKN	
55										3,33	45		
60	104	70	56	112	220	63	32	165	33	4,84	50	108 AKN	
65										4,83	55		
75	126	80	71	140	270	80	36	200	39	9,50	60; 65	109 AKN	
85										9,56	70; 75		
95	150	100	85	165	315	100	40	235	33	13,95	80; 85	110 AKN	
105										14,66	90		
115	180	120	100	195	345	125	45	265	39	23,51	95; 100	111 AKN	
125										22,18	105; 110		
140	210	150	118	226	410	125	45	310	39	38,53	120	112 AKN	
155	230	180		245	430			330		46,43	140	113 AKN	

Example of designation of the AKD-2 medium duty plummer block housing with the hole diameter of $D=50$ mm with C42/50x40-B101 split bearing, size of 103 (marking see page C1-1):

50-C 42/50x40-B101-103 AKD-2 Medium duty plummer block housing (2 bolt)

- without split bearing – 50-BP-103 AKD-2 Medium duty plummer block housing (2 bolt)



We also offer special designs according to the individual wishes of the customer.

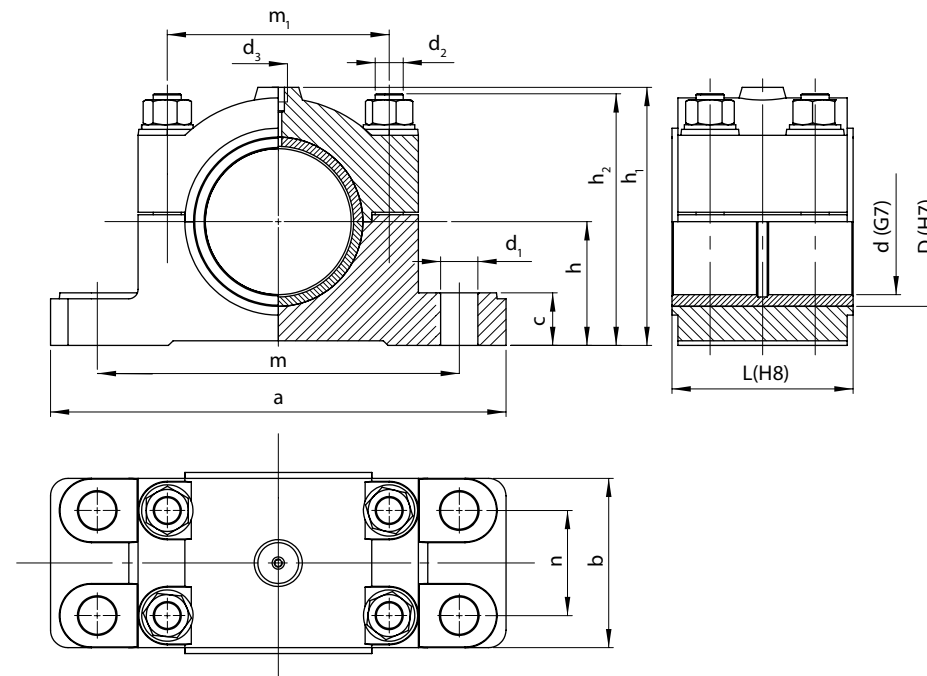
Connection and dimensional sizes of the medium duty plummer block housing (2 bolt) acc. to PN-84/M-87009.

D	L	h	h ₁	h ₂	a	b	c	m	m ₁	d ₁	d ₂	d ₃	Weight	Split bearing diameter d [PN-80/M-87102]	Size and type of plummer block housing		
mm													kg	mm	–		
32	30	32	64	60	155	25	15	120	60	11	M8	M10x1	1,03	25	101 AKD-2		
36		42	77	80	170	32	18	135	70	13	M10		0,97	28; 30			
40		40	45	88	90	185	38	20	150				80	2,30	40; 42	103 AKD-2	
45	55		105	102	215	48	25	170	95				17	M12	2,25		45
50	60		70	139	140	280	58	30	220				125	22	M16		3,59
55	70	85	170	170	320	75	35	260	150	26	M20		3,44	55			
60	50	53	105	102	215	48	25	170	95	17	M12	M12x1,5	7,48	60; 65	105 AKD-2		
65		70	139	140	280	58	30	220	125	22	M16		7,45	70; 75			
75	60	70	139	140	280	58	30	220	125	22	M16		M12x1,5	14,29	80; 85	106 AKD-2	
85		70	85	170	170	320	75	35	260	150	26			M20	13,56		95; 90
95	80	85	170	170	320	75	35	260	150	26	M20			M12x1,5	22,97	95; 100	107 AKD-2
110		95	185	195	380	95	40	300	170	32	M24				21,80	110	
120		100	95	185	195	380	95	40	300	170	32	M24			21,80	110	
130	95		185	195	380	95	40	300	170	32	M24	21,80			110		

Example of designation of the AKD-4 heavy duty plummer block housing with the hole diameter of $D=95$ mm with A 85/95x100-B101 split bearing, size of 103
(marking see page C1-1):

95-A 85/95x100-B101-103 AKD-4 Heavy duty plummer block housing (4 bolt)

- without split bearing – 95-BP-103 AKD-4 Heavy duty plummer block housing (4 bolt)



We also offer special designs according to the individual wishes of the customer.

* Connection and dimensional sizes of the heavy duty plummer block housing (4 bolt) acc. to PN-84/M-87010.

D	L	h	h ₁	h ₂	a	b	c	m	m ₁	n	d ₁	d ₂	d ₃	Weight	Split bearing diameter d [PN-80/M-87102]	Size and type of plummer block housing
mm														kg	mm	-
60	60	53	105	102	210	60	25	160	95	30	13	M10	M12x1,5	4,95	50; (53)	101 AKD-4
65	70													4,69	55	
75	80	71	140	140	250	80	30	200	125	40	17	M12		11,08	60; 65	102 AKD-4
85	90													10,88	70; 75	
95	100	85	170	170	310	100	35	250	150	56	22	M16		20,26	80; 85	103 AKD-4
110	120													22,93	90; 95	
120	120	95	185	185	340	130	40	270	170	80	22	M16		26,03	100; 105	104 AKD-4
130														24,78	110	
145	150	106	211	210	390	155	45	310	190	90	32	M24		40,83	(125); 130	105 AKD-4
160	180	118	230	240	420	170		340	210	100				55,99	140	106 AKD-4
185	180	132	262	260	440	200		360	230	120			71,76	160	107 AKD-4	
210	250	140	290	280	480	230		400	270	150			114,00	180; 180	108 AKD-4	